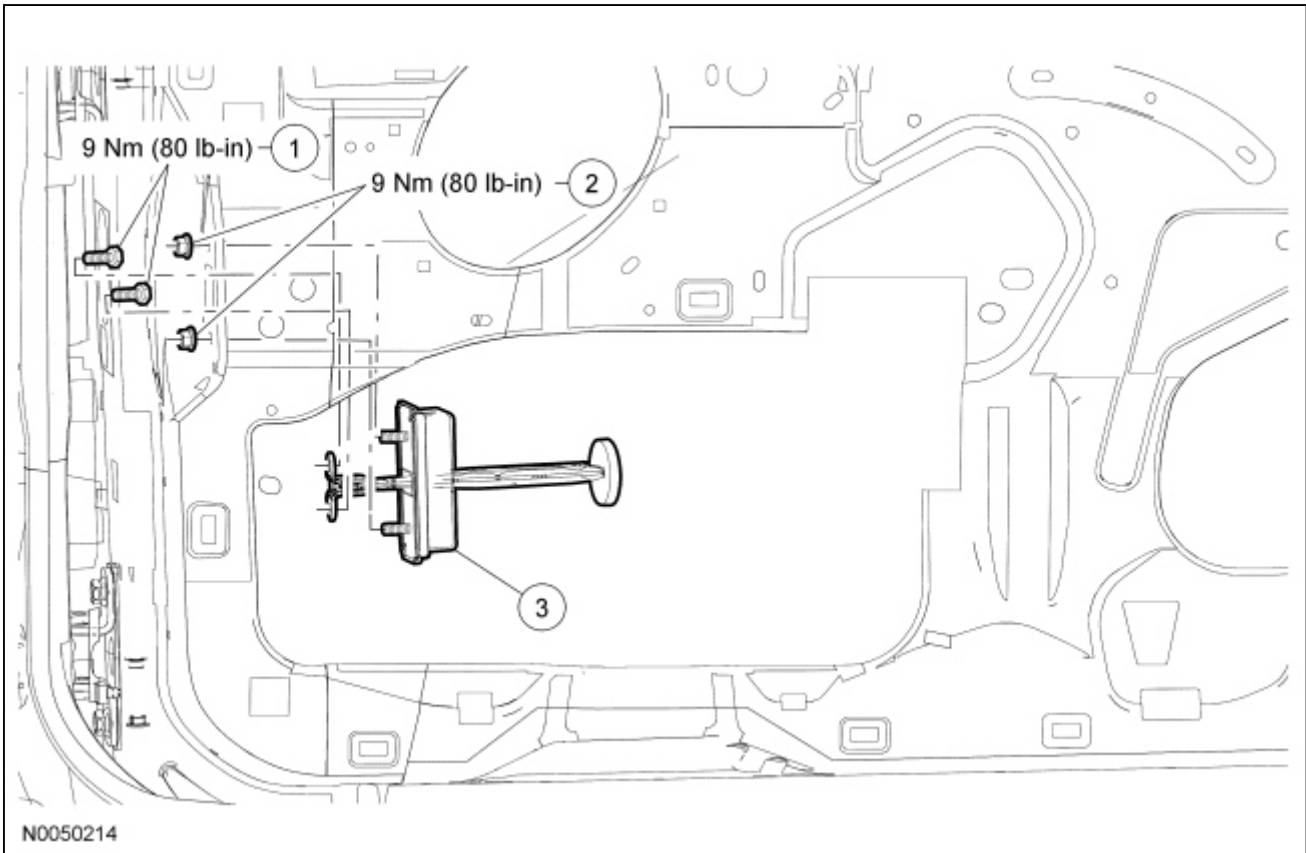


## Door Check Arm



Item	Part Number	Description
1	56912	Door check arm bolts (2 required)
2	W705436	Door check arm nuts (2 required)
3	23500	Door check arm

### Removal and Installation

1. Remove the front door trim panel. For additional information, refer to [Section 501-05](#).
2. Remove the door check arm bolts.
  - To install, tighten to 9 Nm (80 lb-in).
3. Remove the nuts and the door check arm.
  - To install, tighten to 9 Nm (80 lb-in).
4. To install, reverse the removal procedure.

